



**HALO Install and Placement Guide**  
**HALO-2C, 3C, 3C-PC**



## TABLE OF CONTENTS

HALO-2C Installation	3
HALO-3C Installation	5
HALO Ceiling Placement	7
HALO-3C-PC People Count Placement	8
HALO-3C Wall Placement	9
HALO-3C Wall Installation	10



# HALO Install and Placement Guide

## HALO-2C Installation

### BEFORE YOU START

Tools required include: #2 Phillips screwdriver, T10 Torx wrench (included), and means to make the mounting hole (120 mm hole saw, 5" hole saw, or hand saw for sheetrock). The HALO unit requires a wired network connection (Ethernet) which includes standard 802.3af PoE power. This connection should not be longer than 300 ft (100M).

### LOCATION

HALO should be located on a ceiling at a recommended height of 8ft. For Vape Detection HALO should be in an area relatively free of air currents. Avoid HVAC exhaust or return ducts, fans, and areas near the door between two rooms. HALO mounting should avoid areas with significant background noise or vibration. When using HALO for Air Quality and Environmental Monitoring consult with your Authorized IPVideo Dealer for placement guidance.

### INSTALLATION

Ascertain that the ceiling material is between 0.06" (3 mm) and 0.75" (19 mm) in thickness.

Make the required 120 mm or 5.0" hole in the ceiling. Clean up and make certain that dust or material from this operation does not come into proximity of the HALO unit. Use the included full-scale template to check your dimensions before cutting.

Bring the connectorized network connection through the hole and allow it to dangle. Use the Torx wrench to remove the 3 screws holding the HALO outer cover.

Plug the network cable into the RJ-45 jack on the side of the HALO unit.

After 10-15 seconds the green LED in the lower left corner should commence blinking indicating a good network connection and power availability.

Carefully insert the HALO unit into the hole, taking care not to damage the network cable.

Use the #2 Phillips screwdriver to tighten the two screws in the flange. This action first rotates the locking wings to an extended position and then pulls them down to secure the unit. **DO NOT OVER TIGHTEN** these screws.

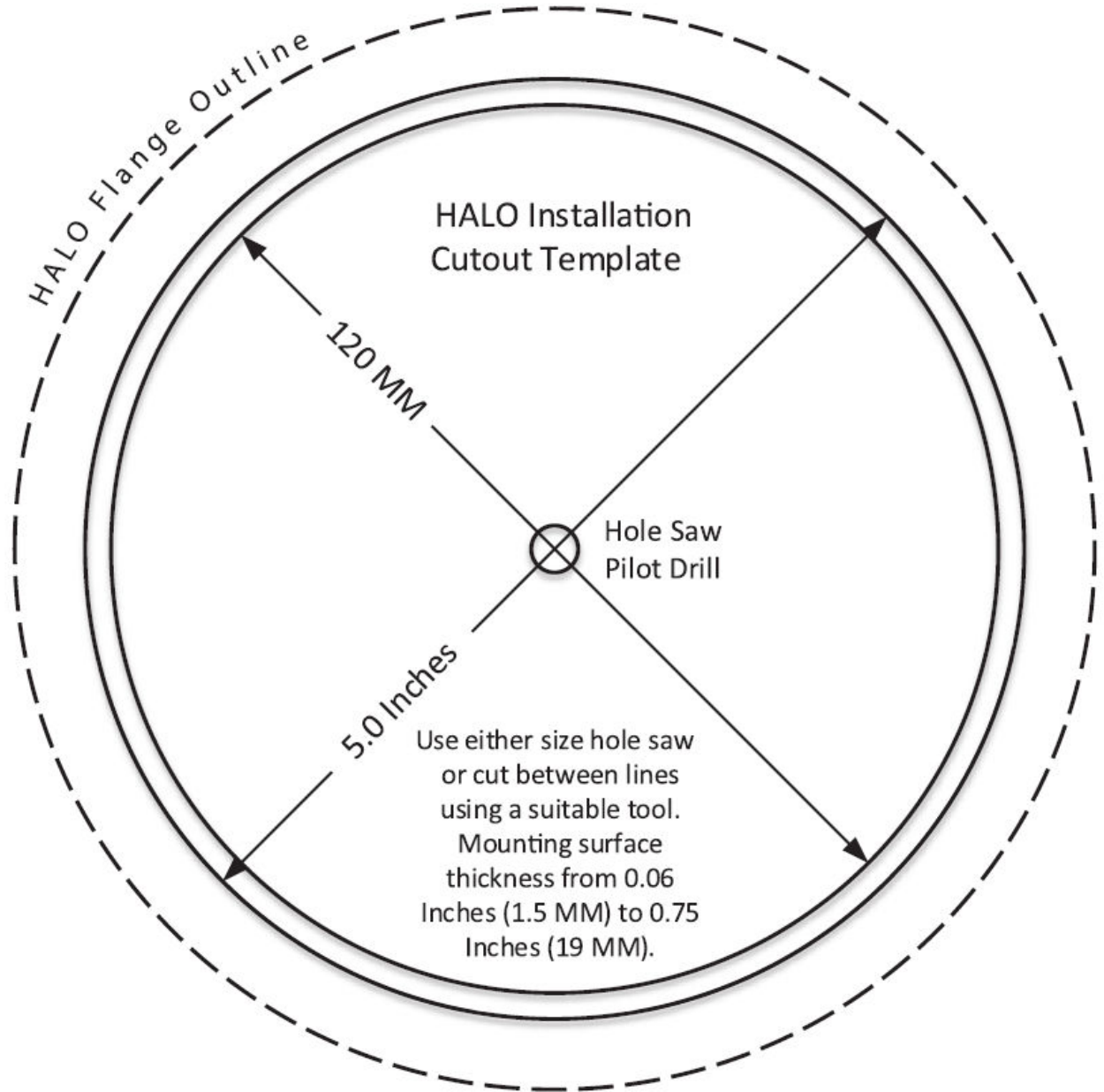
Replace the HALO outer cover and use the Torx wrench to tighten the (3) securing screws.

### WRAPPING UP

The final steps are to use the HALO DEVICE MANAGER (HDM) software (on a Windows computer) and change the unit's network configuration in accordance with the facility network plan.

Move on to the HALO Quick Start Guide or the HALO User's Guide for more information on this topic.

## HALO-2C Installation Cutout





# HALO Install and Placement Guide

## HALO-3C Installation

### BEFORE YOU START

Tools required include: #2 Phillips screwdriver, T10 Security Torx wrench (included), sheetrock anchors with accompanying screws, and means to make the mounting hole (19mm spade bit or hole saw,  $\frac{3}{4}$ " spade bit or hole saw, or hand saw for sheetrock). The HALO unit requires a wired network connection (Ethernet) which includes standard 802.3af PoE power. This connection should not be longer than 300 ft (100M).

### LOCATION: CEILING

For Vape Detection HALO has a recommended height of 8 feet and should be in an area relatively free of air currents. Avoid HVAC exhaust or return ducts, fans, and areas near the door between two rooms. HALO mounting should avoid areas with significant background noise or vibration. When using HALO for Air Quality and Environmental Monitoring consult with your Authorized IPVideo Dealer for placement guidance.

### LOCATION: WALL

HALO should be in an area relatively free of air currents and 8-to-9-foot height from floor. Avoid HVAC exhaust or return ducts, fans, and areas near the door between two rooms. HALO mounting should avoid areas with significant background noise or vibration. When using HALO for Air Quality and Environmental Monitoring consult with your Authorized IPVideo Dealer for placement guidance.

### INSTALLATION

Ascertain that the ceiling material is between 0.06" (3 mm) and 0.75" (19 mm) in thickness. Make the required 19 mm or  $\frac{3}{4}$ " hole in the ceiling. Clean up and make certain that dust or material from this operation does not come into proximity of the HALO unit.

Place the mounting plate in the desired location so that the previously drilled hole lines up with the center hole in the mounting plate. Mark 4 holes in either the A or B pattern as shown in *fig. 1*.

Install sheetrock anchors into the previously marked holes. Place the mounting plate back to the desired location and tighten the screws into the anchors.

Bring the connectorized network connection through the hole and allow it to dangle. Plug the network cable into the RJ-45 jack on the back of the HALO unit in the port labeled "IN".

After 10-15 seconds the green LED in the lower left corner should commence blinking indicating a good network connection and power availability.

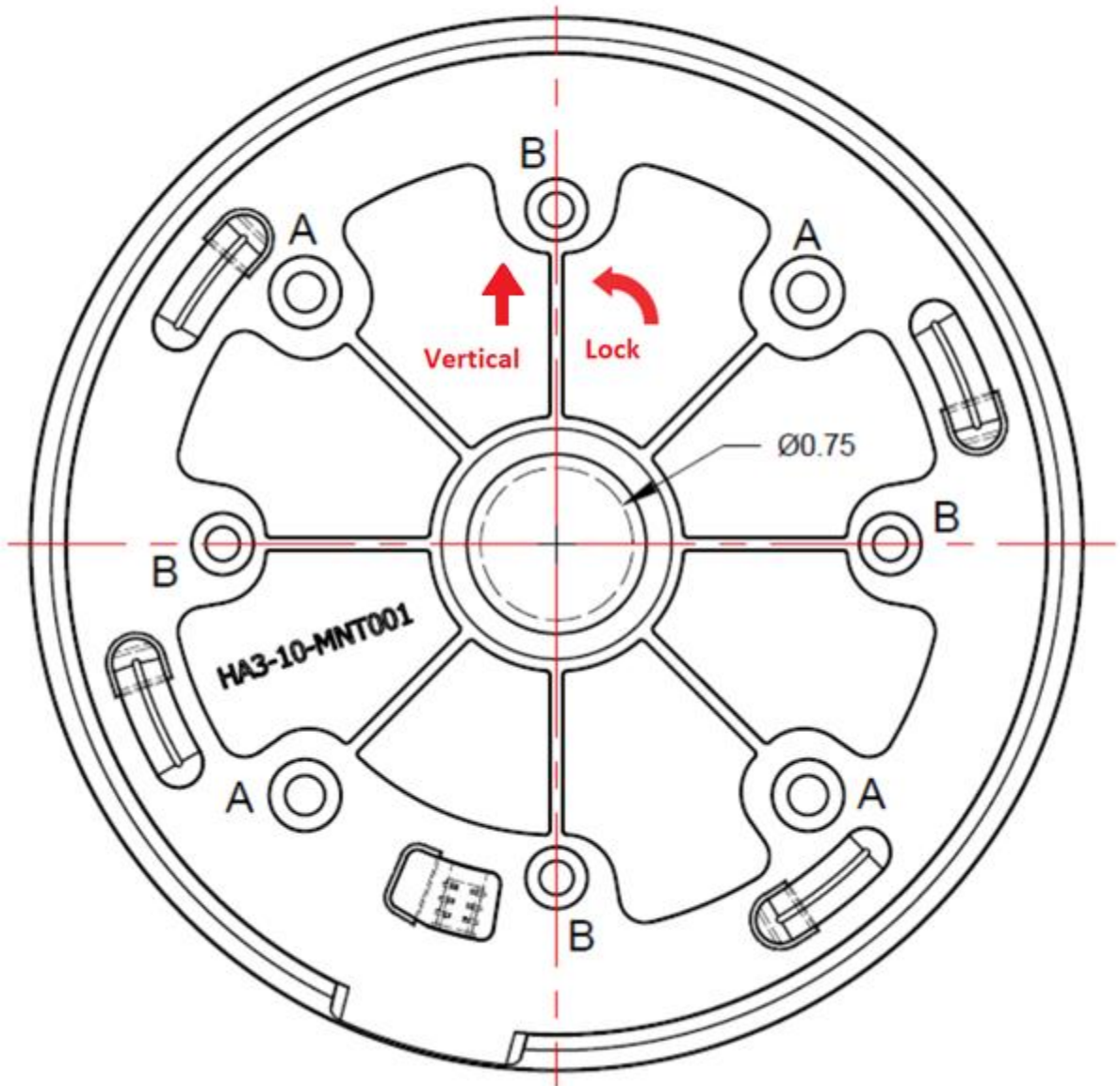
Place the HALO on the mounting plate and rotate counterclockwise to lock into place.

Use the included T10 security Torx wrench to install the security locking screw on the side of the HALO.

### WRAPPING UP

The final steps are to use the HALO DEVICE MANAGER (HDM) software (on a Windows computer) and change the unit's network configuration in accordance with the facility network plan. Move on to the HALO Quick Start Guide or the HALO User's Guide for more information on this topic.

## HALO-3C INSTALLATION





# HALO Install and Placement Guide

## HALO Ceiling Placement

HALO can typically cover 144 square feet (13.4 square meters) with normal ceiling heights (8ft/2.4m) for vape sensors however other sensors work effectively up to 1963 square feet (182.4 square meters). Its coverage area will also vary by the ventilation in the room, the ceiling height will also be a contributing factor. A pendant mount option is available to keep HALO at its recommended height of 8 feet (2.4 meters).

HALO should be installed at least one 2'x2' ceiling tile away from any air vent or HVAC unit. Do not install HALO next to any air vent/HVAC unit.



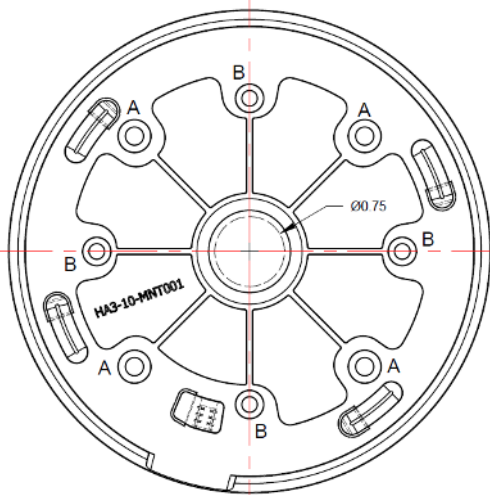
## HALO-3C-PC People Counting Placement

### Installation

Ensure that the HALO ceiling mount is properly aligned. Install that the top of the **B Axis** is perpendicular to the wall with the primary entry.

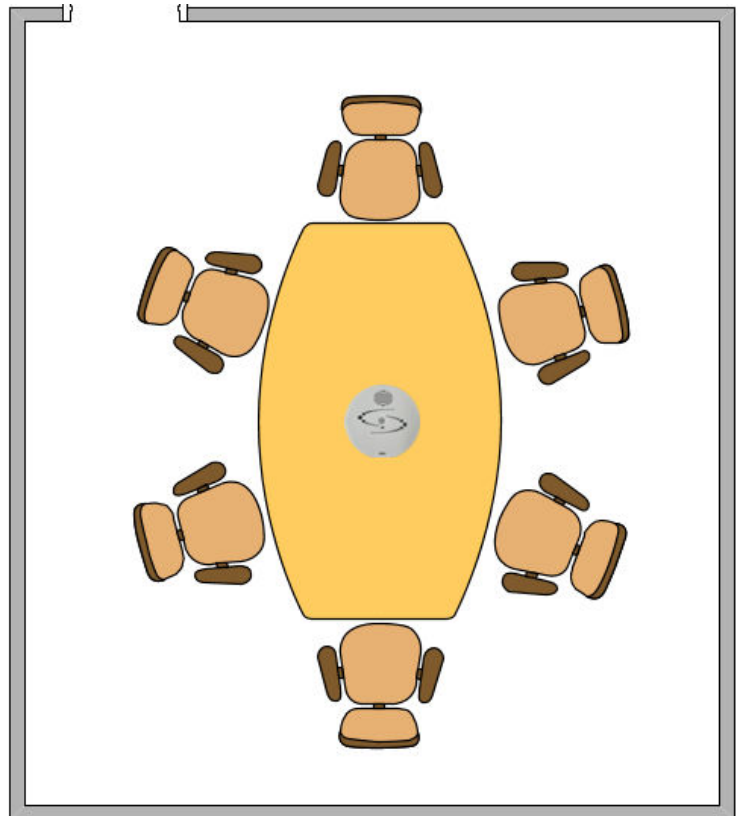
Please refer to the guide below. *If possible, make use of a laser level to assist.*

Wall with the primary entry.



**Thermal Sensor  
Mount Alignment**

Wall with the primary entry.



Additional Information can be found in the Administrative Manual  
<https://halodetect.com/resources/manuals-guides/>

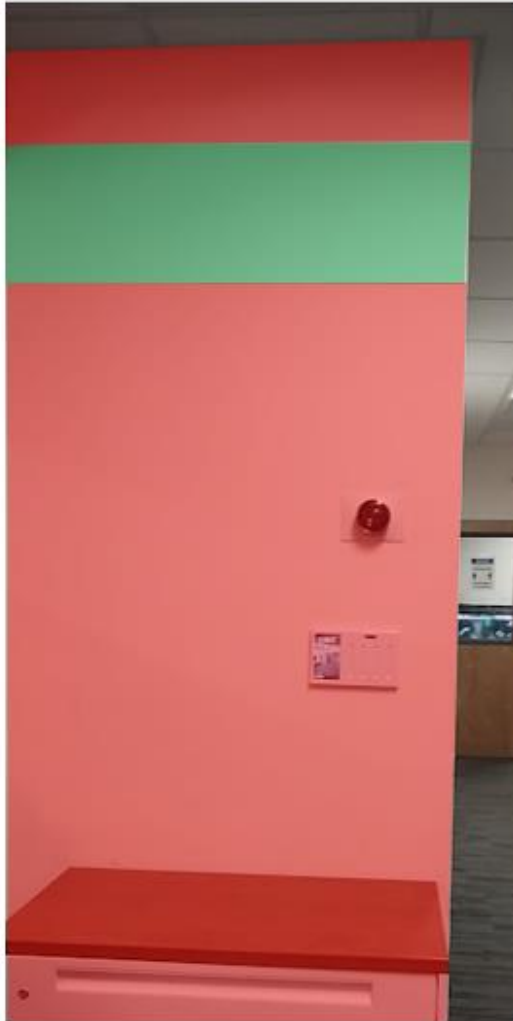




# HALO Install and Placement Guide

## HALO-3C Wall Placement

HALO should be in an area relatively free of air currents and 8-to-9-foot height from floor. Avoid HVAC exhaust or return ducts, fans, operable windows and areas near the door between two rooms. HALO mounting should avoid areas with significant background noise or vibration.



When using HALO for Air Quality and Environmental Monitoring consult with your Authorized IPVideo Dealer for placement guidance.

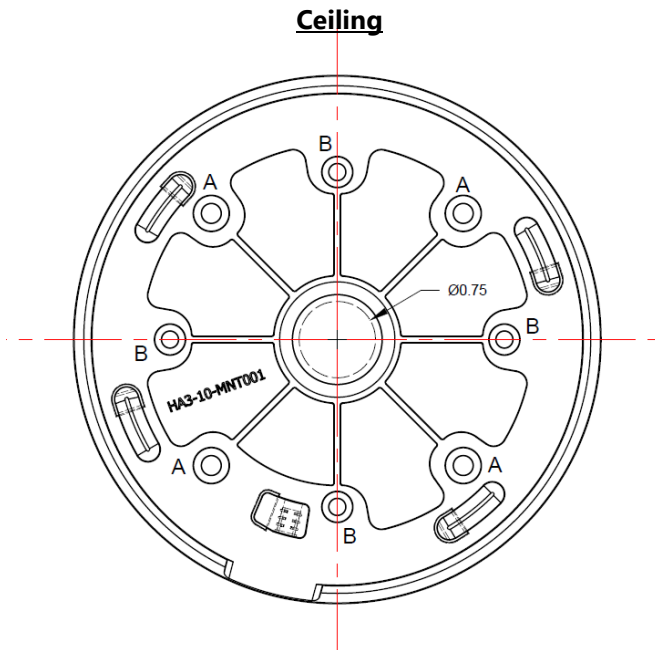
*When HALO is deployed for AQI, DO NOT install directly above or beside fuel-burning appliances, as appliances may emit a small amount of carbon monoxide upon start-up. HALO should not be placed within fifteen feet of heating or cooking appliances or in or near very humid areas such as bathrooms.*

## HALO-3C Wall Installation

### Installation

Ensure that the HALO mount is properly aligned. Install that the top of the B Axis is toward the ceiling.

Please refer to the **guide** below. *If possible, make use of a level to assist.*



Security lock at bottom with B holes on the X and Y axis.



Once mounted, the above is an example of the correct orientation of a HALO wall installation.